

Angular Contact Ball Bearings

Bearing No. : **NACHI 7216DB**

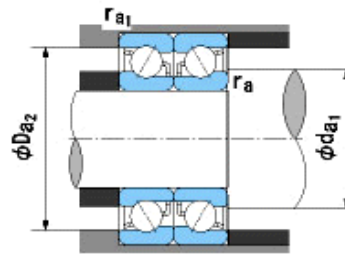
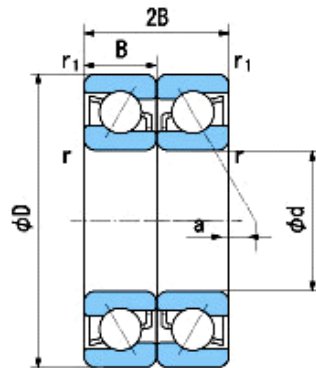
■ Bearing Type

■ Clearance

■ Tolerance Class

Dimensions

d = 80 ⁰_{-0.015}
 D = 140 ⁰_{-0.018}
 B = 26 ⁰_{0.000}
 r = 2~3
 (Radial Direction)
 r = 2~4.5
 (Axial Direction)
 r1 = 1~1.9
 (Radial Direction)
 r1 = 1~3
 (Axial Direction)
 a = 18.8



Dimensions

da1(min) = 90
 da2(min) = 86
 Da1(max) = 130
 Da2(max) = 134
 ra(max) = 2
 ra1(max) = 1
 Mass = 3 kg

Basic Dynamic Load Rating Cr :	145,000 N
Basic Static Load Rating Cor :	153,000 N
Limiting Speed ;	
Grease Lubrication :	3,200 min ⁻¹
Oil Lubrication :	4,300 min ⁻¹

	INNER RING	OUTER RING
O.D.Surface Runout with Side :		-
Axial Runout with Bore :	-	
Axial Runout with Raceway :	-	
Width Variation :	0.025	0.025
Radial Runout :	0.020	0.040